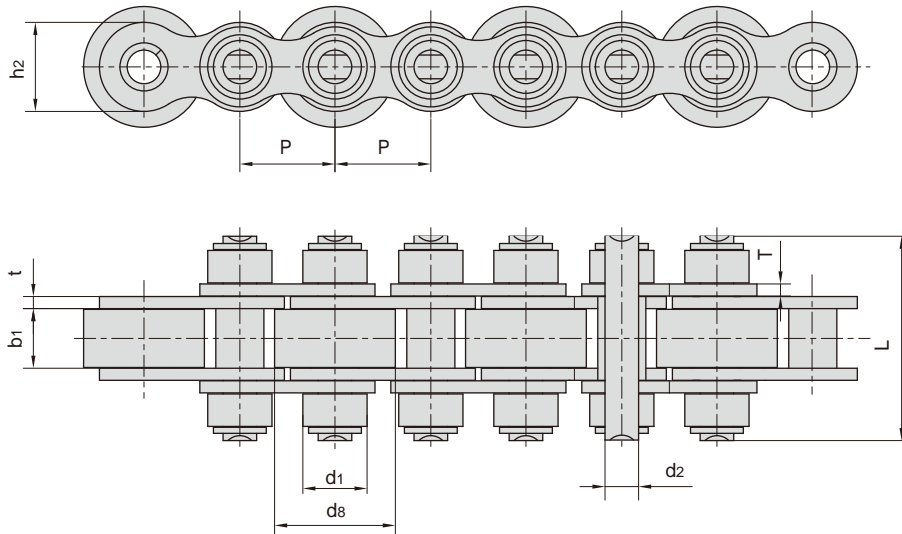


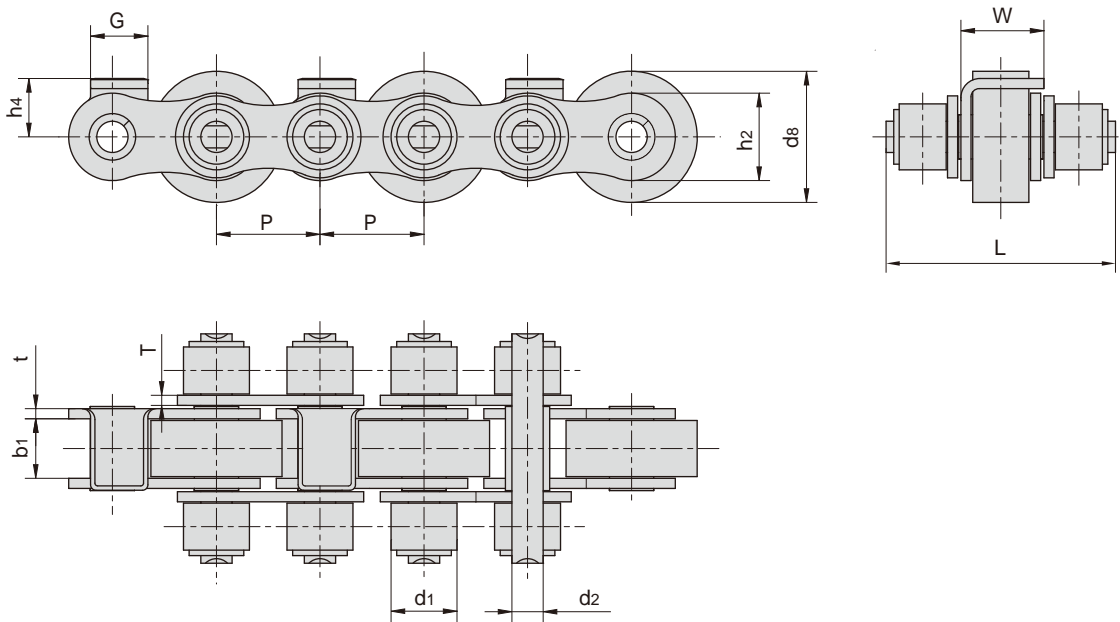
带大滚轮输送链 Conveyor chains with large rollers



东华链号 Donghua Chain No.	节距 Pitch	滚子直径 Roller diameter		内节内宽 Width between inner plates	销轴直径 Pin diameter	销轴长度 Pin length	链板尺寸 Plate dimension		抗拉强度 Tensile strength	平均抗拉强度 Average tensile strength					
		d1 max	d8 max				b1 min	d2 max			L max	h2 max	t/T max	Q min	Q0
		mm	mm				mm	mm			mm	mm	mm	kN/lbf	kN
08BS-27-P16/C16	12.70	8.51	16.0	7.75	4.45	27.0	11.8	1.60/1.50	18.0/4091	19.8					
08BS-33-C16	12.70	8.51	16.0	7.75	4.45	33.0	11.8	1.60/1.50	18.0/4046	19.8					
08BSF8-27-C16	12.70	8.51	16.0	7.75	4.45	27.0	11.8	1.60/1.50	18.0/4046	19.8					
12BS	19.05	12.07	28.0	11.68	5.72	45.0	16.0	1.85	28.9/6568	31.7					
12BS-40-P28/C28	19.05	12.07	28.0	11.68	5.72	40.0	16.0	1.85	29.0/6591	31.7					
12BS-43-P26/C26	19.05	12.07	26.0	11.68	5.72	43.0	16.0	1.85	29.0/6591	31.7					
12BS-43-P28/C28	19.05	12.07	28.0	11.68	5.72	43.0	16.0	1.85	29.0/6591	31.7					
12BS-48-P24/C24	19.05	12.07	24.0	11.68	5.72	48.0	16.0	1.85	29.0/6591	31.7					
12BS-48-P26/C26	19.05	12.07	26.0	11.68	5.72	48.0	16.0	1.85	29.0/6591	31.7					
12BS-48-P28/C28	19.05	12.07	28.0	11.68	5.72	48.0	16.0	1.85	29.0/6591	31.7					
12BS-58-P28/C28	19.05	12.70	28.0	11.68	5.72	58.0	16.0	1.85	29.0/6591	31.7					
16BS-65-P38/C38	25.40	15.88	38.0	17.02	8.28	65.0	21.0	4.15/3.10	60.0/13636	72.8					
100SF1-85-C45	31.75	19.05	45.0	25.50	9.53	85.0	30.0	4.00	86.7/19490	104.0					
212BS-43-P48	38.10	12.07	48.0	11.68	5.72	43.0	16.0	1.85	28.9/6568	31.7					

注：P 表示滚子材料为塑料，C 表示滚子材料为钢。
Note: P means roller made in plastic, C means roller made in steel.

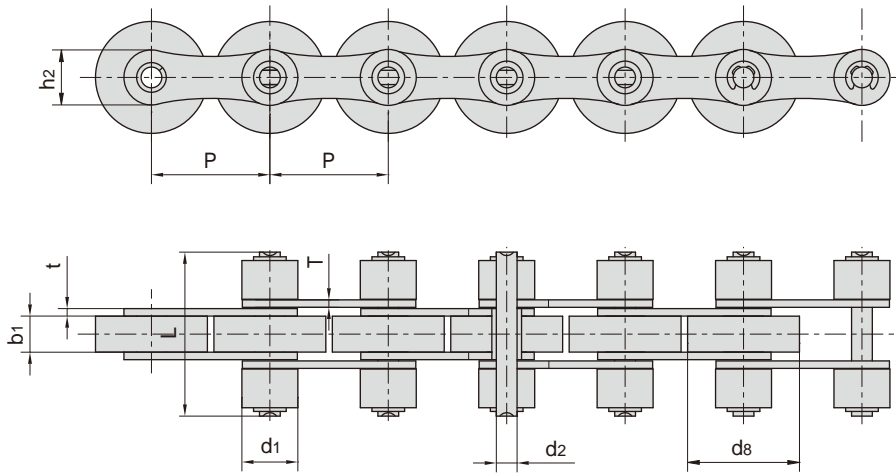
带大滚轮输送链 Conveyor chains with large rollers



东华链号 Donghua Chain No.	节距	滚子直径		内节内宽	销轴直径	销轴长度	链板尺寸		附板尺寸			抗拉强度
	Pitch	Roller diameter		Width between inner plates	Pin diameter	Pin length	Plate dimension		Attachment dimension			Tensile strength
	P	d1 max	d8 max	b1 min	d2 max	L max	h2 max	t/T max	h4	G	W	Q min
	mm	mm	mm	mm	mm	mm	mm	mm	mm	mm	mm	kN/lbf
12BSF5-40-C28	19.05	12.07	28.0	11.40	5.72	40.0	16.0	1.85	10.0	8.4	15.0	29.0/6519
12BSF5-43-C26	19.05	12.07	26.0	11.40	5.72	43.0	16.0	1.85	10.0	8.4	15.0	29.0/6519
12BSF5-43-P28/C28	19.05	12.07	28.0	11.40	5.72	43.0	16.0	1.85	10.0	10.5	15.0	29.0/6519
12BSF5-48-C24	19.05	12.07	24.0	11.40	5.72	48.0	16.0	1.85	10.0	8.4	13.5	29.0/6519
12BSF8-40-C28	19.05	12.07	28.0	11.40	5.72	40.0	16.0	1.85	10.0	8.0	15.0	29.0/6519
16BSF2-65-C38	25.40	15.88	38.5	17.02	8.28	65.0	21.0	4.15/3.10	16.5	12.0	24.0	60.0/13636

注: P表示滚子材料塑料, C表示滚子材料为钢。
Note: P means roller made in plastic, C means roller made in steel.

带大滚轮输送链 Conveyor chains with large rollers



东华链号 Donghua Chain No.	节距 Pitch	滚子直径 Roller diameter		内节内宽 Width between inner plates	销轴直径 Pin diameter	销轴长度 Pin length	链板尺寸 Plate dimension		抗拉强度 Tensile strength	平均抗拉强度 Average tensile strength	
		P	d1 max	d3 max	b1 min	d2 max	L max	h2 max	t/T max	Q min	Q0
		mm	mm	mm	mm	mm	mm	mm	mm	kN/lbf	kN
16BS-65-C24	25.4	15.88	24.0	17.02	8.28	65.0	21.0	4.15/3.10	60.0/13636	72.8	
208BS-35-C24	25.4	12.00	24.0	7.75	4.45	35.0	11.8	1.60	18.0/4091	19.8	
*208BSF1-35-P24	25.4	12.00	24.0	7.75	4.45	35.0	11.8	1.60	18.0/4091	19.8	
212BS-48-C28	38.1	12.07	28.0	11.68	5.72	48.0	16.0	1.85	28.9/6568	31.7	
212BSF2	38.1	12.07	28.0	11.68	5.72	43.0	16.0	1.85	28.9/6568	31.7	
212BSF3	38.1	12.07	28.0	11.68	5.72	48.0	16.0	1.85	28.9/6568	31.7	
*212BSF4	38.1	12.07	24.0	11.68	5.72	48.0	16.0	1.85	28.9/6568	31.7	
212BSF4-48-C24	38.1	12.07	24.0	11.68	5.72	48.0	16.0	2.03	32.0/7194	35.2	
212BSF5-43-C28	38.1	12.07	28.0	11.68	5.72	43.0	16.0	1.85	28.9/6568	31.7	
*216BS-65-P50	50.8	15.88	50.0	17.02	8.28	65.0	21.0	4.15/3.10	60.0/13636	72.8	
216BS-65-C38.5	50.8	15.88	38.5	17.02	8.28	65.0	21.0	4.15/3.10	60.0/13636	72.8	
216BS-65-C40	50.8	15.88	40.0	17.02	8.28	65.0	21.0	4.15/3.10	60.0/13636	72.8	
63PS	63.0	40.00	50.0	24.50	14.00	91.5	35.0	5.10	90.0/20232	135.0	
63PSF1	63.0	38.00	46.0	21.60	12.00	84.0	30.0	4.00	66.6/15000	85.0	

注：*表示滚子材料为塑料。
Note: * means roller made in plastic.