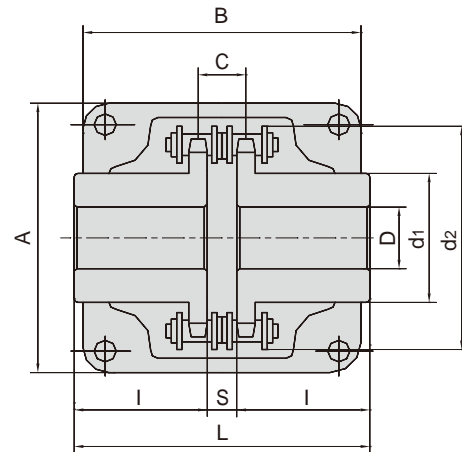


链条联轴器 Chain couplings

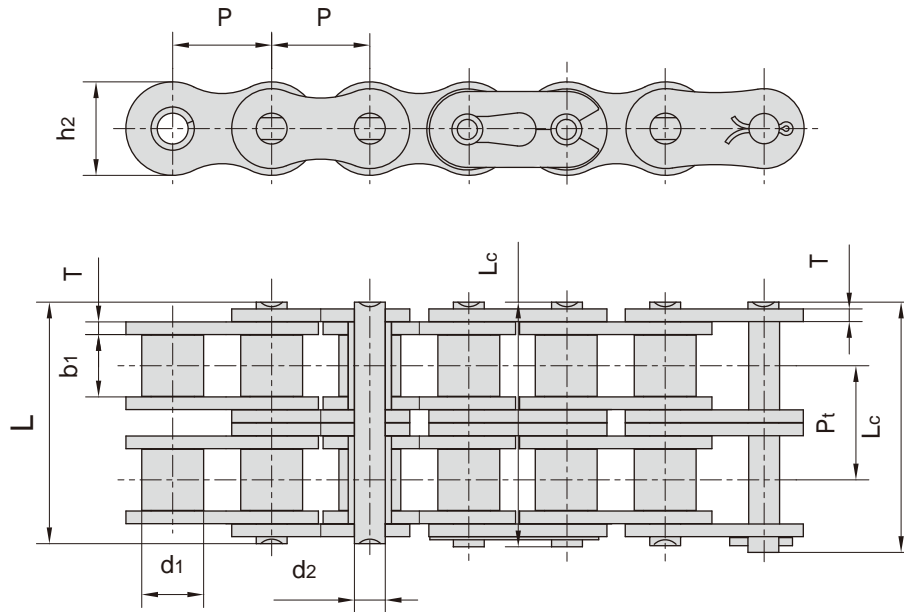
东华链条联轴器，是由一段双排链条和一对联轴器链轮组成，通过链条来联接和拆卸。该类链条联轴器结构紧凑、扭矩传递大、可靠性强、安全、而且外形美观大方、安装简单、易对中。东华链条联轴器适合于很多场合的联接使用。

The Donghua Chain coupling is composed of a duplex roller chain and a pair of coupling sprockets. The function of connection and detachment is done by the joint of chain. It has the characteristic of compact and powerful, excellent durability, safe and smart, simple installation and easy alignment. The Donghua Chain coupling is suitable for a wide range of coupling applications.



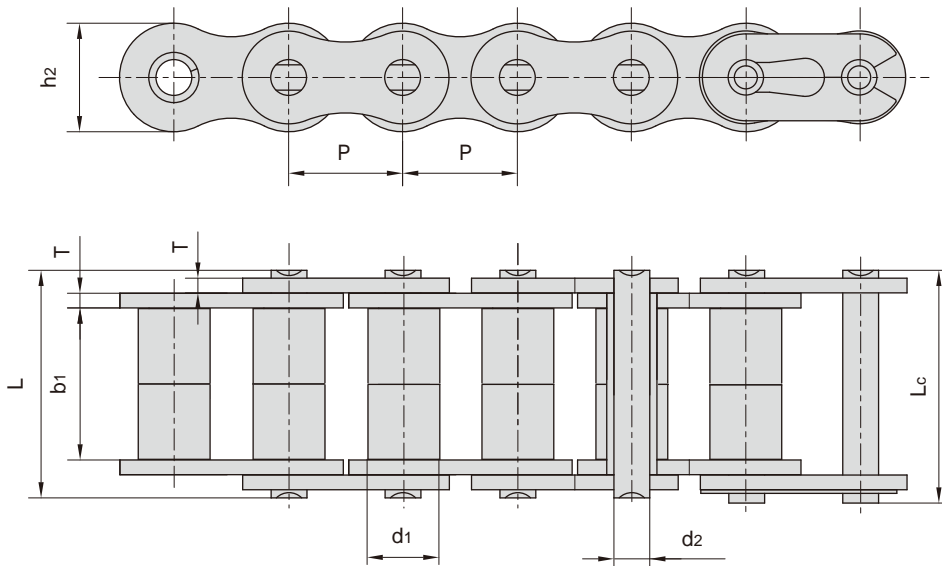
链条联轴器 型号 Chain coupling No.	链条型号 Chain No.	孔径D Bore Dia		尺寸 Dimension						惯量 Inertia ×10 ⁻³ kgf·m ²	重量 Approx Weight kg	罩壳 Casing		
		Min mm	Max mm	L mm	I mm	S mm	d1 mm	d2 mm	C mm			尺寸 Dimension		重量 Approx Weight kg
												A mm	B mm	
DH C-3012	06B-2X12	12	16	64.8	29.8	5.2	25	45	10.2	0.233	0.4	69	63	0.3
DH C-4012	40-2X12	12	22	79.4	36.0	7.4	35	61	14.4	1.020	0.8	77	72	0.3
DH C-4014	40-2X14	12	28	79.4	36.0	7.4	43	69	14.4	1.924	1.1	84	75	0.4
DH C-4016	40-2X16	14	32	87.4	40.0	7.4	50	77	14.4	3.285	1.4	92	75	0.4
DH C-5014	50-2X14	16	35	99.7	45.0	9.7	53	86	18.1	6.010	2.2	101	85	0.5
DH C-5016	50-2X16	16	40	99.7	45.0	9.7	60	96	18.1	9.720	2.7	111	85	0.6
DH C-5018	50-2X18	16	45	99.7	45.0	9.7	70	106	18.1	15.420	3.8	122	85	0.8
DH C-6018	60-2X18	20	56	123.5	56.0	11.5	85	128	22.8	40.210	6.2	142	106	1.2
DH C-6020	60-2X20	20	60	123.5	56.0	11.5	98	140	22.8	62.870	7.8	158	105	1.6
DH C-6022	60-2X22	20	71	123.5	56.0	11.5	110	152	22.8	93.450	10.4	168	117	1.8
DH C-8018	80-2X18	20	80	141.2	63.0	15.2	110	170	29.3	142.030	12.7	190	129	2.5
DH C-8020	80-2X20	20	90	145.2	65.0	15.2	120	186	29.3	204.900	16.0	210	137	2.9
DH C-8022	80-2X22	20	100	157.2	71.0	15.2	140	202	29.3	341.170	20.2	226	137	3.6
DH C-10020	100-2X20	25	110	178.8	80.0	18.8	160	233	35.8	646.290	33.0	281	153	4.6
DH C-12018	120-2X18	35	125	202.7	90.0	22.7	170	256	45.4	1075.710	47.0	307	181	6.2
DH C-12022	120-2X22	35	140	222.7	100.0	22.7	210	304	45.4	2454.500	72.0	357	181	8.0

联轴器链 Coupling chains



东华链号 Donghua Chain No.	节距	滚子直径	内节内宽	销轴直径	销轴长度		内链板高度	链板厚度	排距	抗拉强度	平均抗拉强度	每条长重
	Pitch	Roller diameter	Width between inner plates	Pin diameter	Pin length		Inner plate depth	Plate thickness	Transverse pitch	Tensile strength	Average tensile strength	Weight per piece
	P	d1 max	b1 min	d2 max	L max	Lc max	h2 max	T max	Pt	Q min	Q0	q
	mm	mm	mm	mm	mm	mm	mm	mm	mm	kN/lbf	kN	kg/pc
4012	12.700	7.95	7.85	3.96	31.0	32.2	12.00	1.50	14.38	28.2/6409	35.9	0.20
4014	12.700	7.95	7.85	3.96	31.0	32.2	12.00	1.50	14.38	28.2/6409	35.9	0.23
4016	12.700	7.95	7.85	3.96	31.0	32.2	12.00	1.50	14.38	28.2/6409	35.9	0.26
5014	15.875	10.16	9.40	5.08	38.9	40.4	15.09	2.03	18.11	44.4/10091	58.1	0.49
5016	15.875	10.16	9.40	5.08	38.9	40.4	15.09	2.03	18.11	44.4/10091	58.1	0.56
5018	15.875	10.16	9.40	5.08	38.9	40.4	15.09	2.03	18.11	44.4/10091	58.1	0.63
6018	19.050	11.91	12.57	5.94	48.8	50.5	18.00	2.42	22.78	63.6/14455	82.1	1.06
6020	19.050	11.91	12.57	5.94	48.8	50.5	18.00	2.42	22.78	63.6/14455	82.1	1.18
6022	19.050	11.91	12.57	5.94	48.8	50.5	18.00	2.42	22.78	63.6/14455	82.1	1.30
8018	25.400	15.88	15.75	7.92	62.7	64.3	24.00	3.25	29.29	113.4/25773	141.8	2.38
8020	25.400	15.88	15.75	7.92	62.7	64.3	24.00	3.25	29.29	113.4/25773	141.8	2.65
8022	25.400	15.88	15.75	7.92	62.7	64.3	24.00	3.25	29.29	113.4/25773	141.8	2.91
10018	31.750	19.05	18.90	9.53	76.4	80.5	30.00	4.00	35.76	177.0/40227	219.4	4.51
10022	31.750	19.05	18.90	9.53	76.4	80.5	30.00	4.00	35.76	177.0/40227	219.4	5.51
12018	38.100	22.23	25.22	11.10	95.8	99.7	35.70	4.80	45.44	254.0/57727	314.9	8.14
12022	38.100	22.23	25.22	11.10	95.8	99.7	35.70	4.80	45.44	254.0/57727	314.9	9.95

联轴器链 Coupling chains

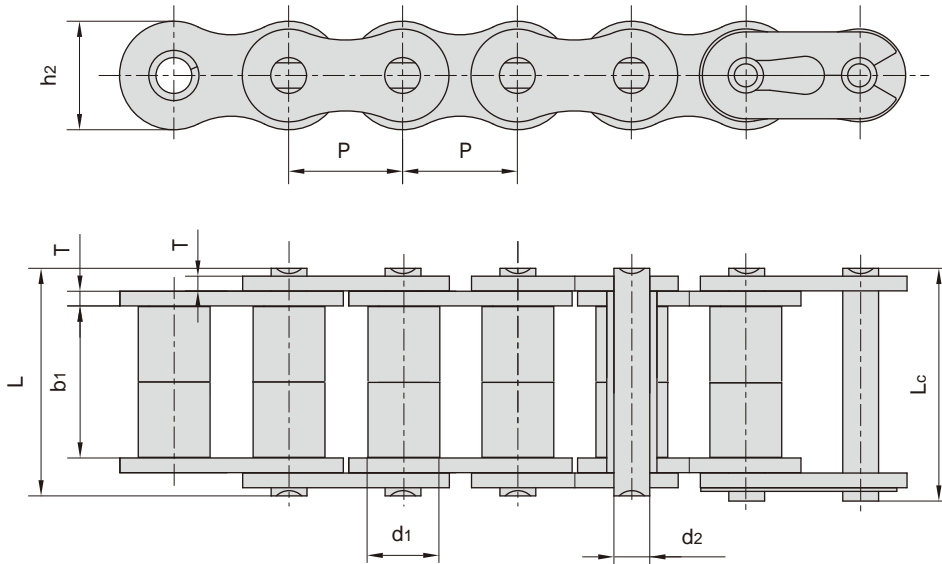


东华链号 Donghua Chain No.	节距 Pitch	滚子直径 Roller diameter	内节内宽 Width between inner plates	销轴直径 Pin diameter	销轴长度 Pin length		内链板高度 Inner plate depth	链板厚度 Plate thickness	抗拉强度 Tensile strength	平均抗拉强度 Average tensile strength	每米长重 Weight per meter
	P	d1 max	b1 min	d2 max	L max	Lc max	h2 max	T max	Q min	Q0	q
	mm	mm	mm	mm	mm	mm	mm	mm	kN/lbf	kN	kg/m
08AF36	12.700	7.95	21.70	3.96	30.8	32.1	12.00	1.50	13.8/3135	16.20	1.070
10AF13	15.875	10.16	16.31	5.08	27.6	29.1	15.09	2.03	22.2/5045	27.50	1.350
10AF71	15.875	10.16	19.00	5.08	30.5	32.2	15.09	2.03	21.8/4901	24.40	1.480
*10AF75	15.875	10.16	45.60	5.08	57.0	58.5	15.09	2.03	21.8/4901	24.40	2.540
12AF2	19.050	11.91	19.10	5.94	32.6	34.4	18.00	2.42	31.8/7227	38.20	1.900
12AF6	19.050	11.91	18.80	5.94	31.9	33.5	18.00	2.42	31.8/7227	38.20	1.870
12AF26	19.050	11.91	19.36	5.94	31.9	33.5	18.00	2.42	31.8/7227	38.20	1.940
12AF34	19.050	11.91	19.00	5.94	31.9	31.9	18.00	2.42	31.1/7066	38.20	1.860
12AF54	19.050	11.91	19.50	5.84	31.9	31.9	18.00	2.29	31.1/7066	38.20	1.607
*12AF97	19.050	11.91	35.35	5.94	48.8	50.5	18.00	2.42	31.8/7149	38.20	2.630
*12AF101	19.050	11.91	37.64	5.94	51.2	52.9	18.00	2.42	31.8/7149	38.20	1.990
*12AF124	19.050	11.91	20.57	5.94	33.9	35.7	18.00	2.42	31.8/7149	38.20	1.910
16AF25	25.400	15.88	25.58	7.92	42.4	43.9	24.00	3.25	56.7/12886	63.50	3.260
*16AF40	25.400	15.88	70.00	7.92	87.6	91.1	24.00	3.25	56.7/12886	63.50	5.780
*16AF46	25.400	15.88	36.00	7.92	53.3	56.8	24.00	3.25	56.7/12886	63.50	3.880
*16AF75	25.400	15.88	56.00	7.92	73.5	76.9	24.00	3.25	56.7/12746	63.50	5.110
*16AF111	25.400	15.88	45.00	7.92	62.7	65.8	24.00	3.25	56.7/12746	63.50	4.480
*16AF121	25.400	15.88	73.50	7.92	91.3	94.7	24.00	3.25	56.7/12746	63.50	6.000

*表示滚子数量不完全如图所示

*The number of roller depends upon the specific application

联轴器链 Coupling chains



东华链号 Donghua Chain No.	节距 Pitch	滚子直径 Roller diameter	内节内宽 Width between inner plates	销轴直径 Pin diameter	销轴长度 Pin length		内链板高度 Inner plate depth	链板厚度 Plate thickness	抗拉强度 Tensile strength	平均抗拉强度 Average tensile strength	每米长重 Weight per meter
	P	d1 max	b1 min	d2 max	L max	Lc max	h2 max	T max	Q min	Q0	q
	mm	mm	mm	mm	mm	mm	mm	mm	kN/lbf	kN	kg/m
*20AF44	31.750	19.05	32.00	9.53	53.5	57.8	30.00	4.00	86.7/19490	99.70	4.820
*24AF27	38.100	22.23	75.92	11.10	101.0	105.0	35.70	4.80	124.6/28010	143.20	9.810
*06BF27	9.525	6.35	18.80	3.28	26.5	28.2	8.20	1.30	9.0/2045	9.63	0.770
*06BF31	9.525	6.35	16.40	3.28	23.4	24.4	8.20	1.30	9.0/2045	9.63	0.660
*06BF71	9.525	6.35	16.50	3.28	24.5	25.6	8.20	1.30	9.0/2023	9.63	0.830
08BF97	12.700	8.51	15.50	4.45	24.8	26.2	11.80	1.60	18.0/4989.6	19.20	0.980
*08BF129	12.700	8.51	35.80	4.45	45.1	46.1	11.80	1.60	18.0/4989.6	19.02	1.500
10BF21	15.875	10.16	42.83	5.08	52.7	54.1	14.70	1.70	22.0/5000	25.30	2.260
10BF43	15.875	7.03	27.80	5.08	39.0	40.6	14.70	2.03	22.4/5090	25.76	1.140
*10BF43-S	15.875	10.00	27.80	5.08	39.0	40.6	14.70	2.03	22.4/5090	25.76	1.800
*16BF75	25.400	15.88	27.50	8.28	47.4	50.5	21.00	4.15/3.10	60.0/13488	66.00	3.420
*16BF87	25.400	15.88	35.00	8.28	54.1	55.6	21.00	4.15/3.10	60.0/13488	66.00	3.840
*16BF114	25.400	15.88	49.90	8.28	69.0	72.0	21.00	4.15/3.10	60.0/13488	66.00	4.740
*20BF45	31.750	19.05	55.01	10.19	76.8	80.5	26.40	4.50/3.50	95.0/21356	104.50	6.350
*24BF33	38.100	25.40	73.16	14.63	101.7	106.2	33.20	6.00/4.80	160.0/35968	176.00	11.840

*表示滚子数量不完全如图所示

*The number of roller depends upon the specific application