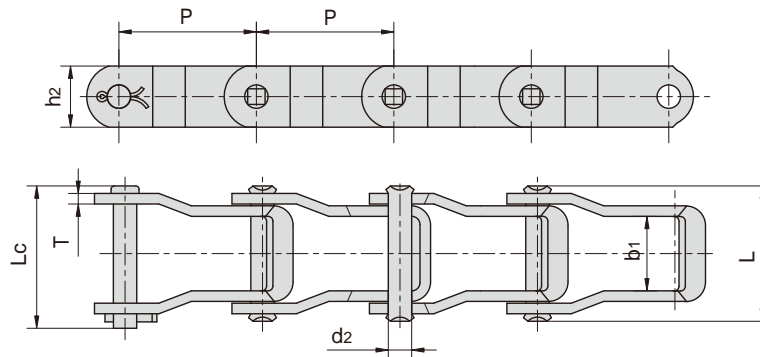
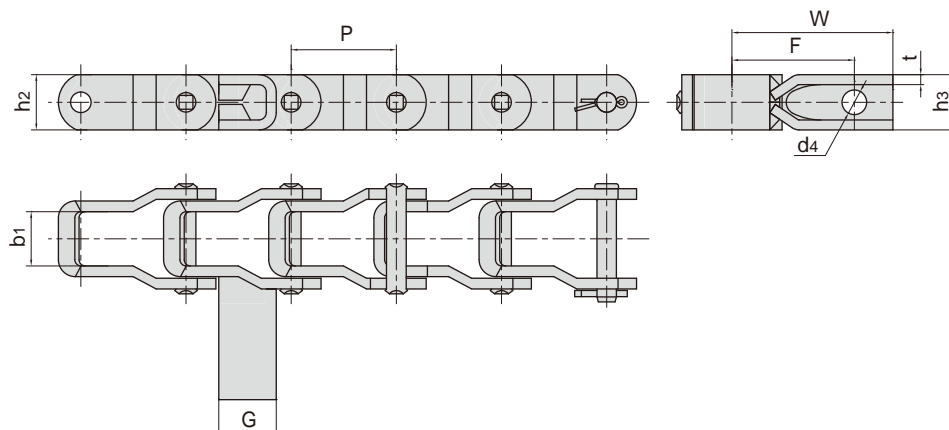


钢制销合链

Steel pintle chains



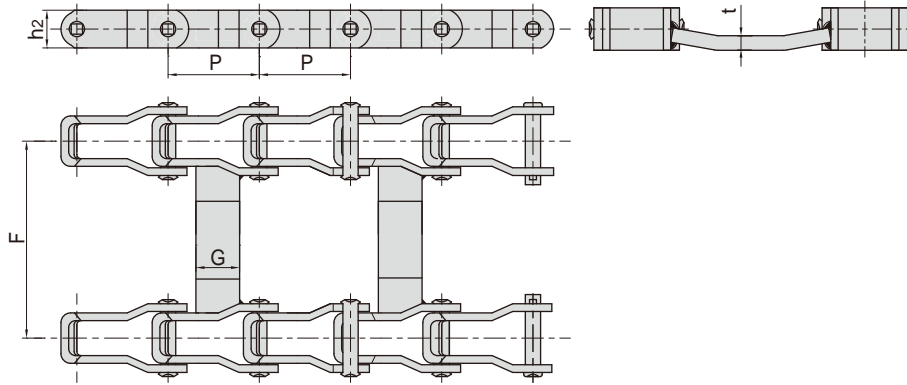
东华链号 Donghua Chain No.	节距 Pitch	内节内宽 Width between inner plates	销轴直径 Pin diameter	销轴长度 Pin length		链板高度 Plate depth	链板厚度 Plate thickness	抗拉强度 Tensile strength	平均抗拉强度 Average tensile strength	每米长重 Weight per meter
	P	b_1 min	d_2 max	L max	L_c max	h_2 max	T	Q min	Q_0	q
	mm	mm	mm	mm	mm	mm	mm	kN/lbf	kN	kg/m
662	42.27	22.9	7.19	41.2	44.2	18.8	3.2	37.80/8591	49.8	1.63
667H	58.75	25.4	7.94	43.7	46.7	22.2	3.2	42.30/9614	59.3	1.87
667X	57.15	26.6	11.10	50.2	55.0	23.8	4.3	66.70/15159	96.5	2.98
667XH	57.15	27.4	11.91	58.0	62.0	27.3	5.7	124.50/28295	138.6	4.34
667K	57.15	27.4	11.10	55.5	60.0	27.3	5.1	89.00/20227	123.2	3.91
667J	57.15	26.6	9.53	50.2	55.0	27.3	4.3	62.28/14155	84.1	2.81
88K	66.27	27.4	11.10	55.5	60.0	27.3	5.1	89.00/20227	123.2	3.73
88C	66.27	31.4	12.70	64.6	69.0	28.9	6.4	133.36/30309	160.5	5.17
308	78.10	32.5	15.88	72.6	78.0	38.1	8.0	227.00/51030	249.7	8.40



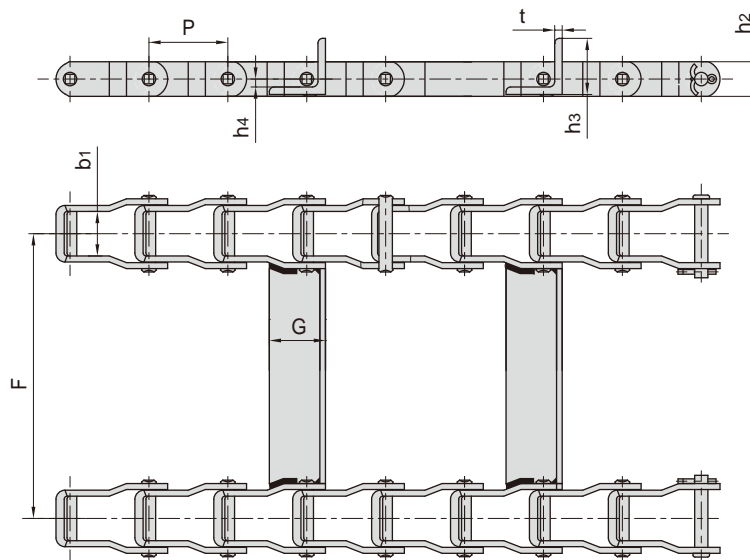
东华链号 Donghua Chain No.	节距 Pitch	内节内宽 Width between inner plates	链板高度 Plate depth	附板尺寸 Attachment dimension						抗拉强度 Tensile strength
	P	b_1 min	h_2 max	G	F	W	h_3	d_4	t	Q min
	mm	mm	mm	mm	mm	mm	mm	mm	mm	kN/lbf
662F7	42.27	22.9	18.8	23.1	49.2	64.7	22.2	9.9	4.0	37.80/8597
662HF2	42.27	21.8	22.2	23.1	49.2	64.7	22.2	9.9	4.0	50.80/11420

钢制销合链

Steel pintle chains



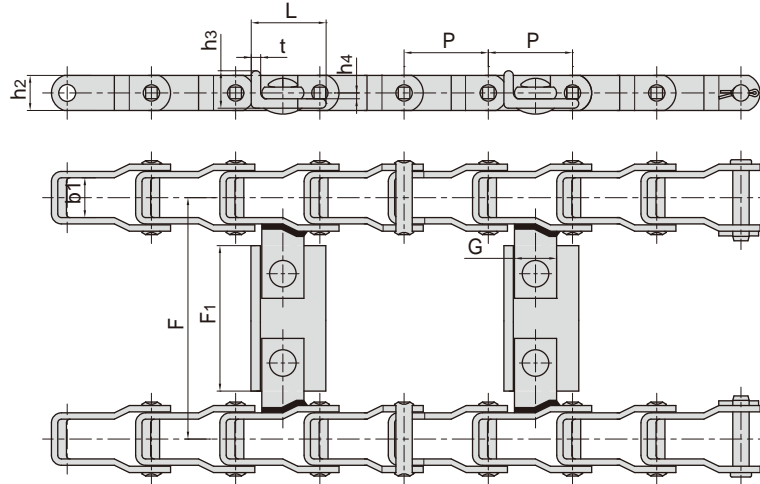
东华链号 Donghua Chain No.	节距 Pitch	内节内宽 Width between inner plates	链板高度 Plate depth	附板尺寸 Attachment dimension			抗拉强度 Tensile strength
	P	b1 min	h2 max	G	F	t	Q min
	mm	mm	mm	mm	mm	mm	kN/lbf
667KF2SS	57.15	27.80	27.30	38.10	536.70	9.70	67.00/15062
667KF3SS	57.15	27.80	27.30	38.10	714.20	9.70	67.00/15062
88KF10	66.27	27.40	27.30	31.75	604.20	9.50	37.80/8497



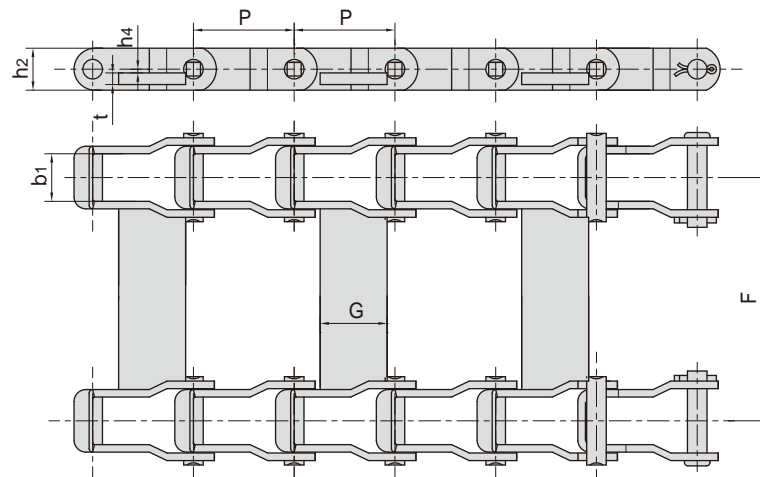
东华链号 Donghua Chain No.	节距 Pitch	内节内宽 Width between inner plates	链板高度 Plate depth	附板尺寸 Attachment dimension					抗拉强度 Tensile strength
	P	b1 min	h2 max	G	F	t	h3	h4	Q min
	mm	mm	mm	mm	mm	mm	mm	mm	kN/lbf
662F4	42.27	22.9	18.8	30.0	539.75	3.0	30.00	5.25	37.80/8597
662HF3	42.27	21.8	22.2	30.0	487.35	3.0	30.00	7.10	50.80/11420

钢制销合链

Steel pintle chains



东华链号 Donghua Chain No.	节距 Pitch	内节内宽 Width between inner plates	链板高度 Plate depth	附板尺寸 Attachment dimension							抗拉强度 Tensile strength
	P	b1 min	h2 max	G	F	F1	L	t	h3	h4	Q min
	mm	mm	mm	mm	mm	mm	mm	mm	mm	mm	kN/lbf
667X-ASF10	57.15	27.00	23.80	28.60	814.40	749.30	50.80	4.80	25.40	4.00	66.70/14994
667X-ASF11	57.15	27.00	23.80	28.60	1450.90	1385.80	50.80	4.80	25.40	4.00	66.70/14994
667K-ASF9	57.15	27.80	27.00	31.75	1736.70	1671.60	50.80	6.40	38.10	4.80	66.70/14994



东华链号 Donghua Chain No.	节距 Pitch	内节内宽 Width between inner plates	链板高度 Plate depth	附板尺寸 Attachment dimension				抗拉强度 Tensile strength
	P	b1 min	h2 max	G	F	t	h4	Q min
	mm	mm	mm	mm	mm	mm	mm	kN/lbf
662F1	42.27	26.6	18.8	19.0	343.5	5.0	4.40	37.80/8597
667X-ASF3	57.15	26.6	23.8	38.0	514.4	7.0	0.00	66.70/14994